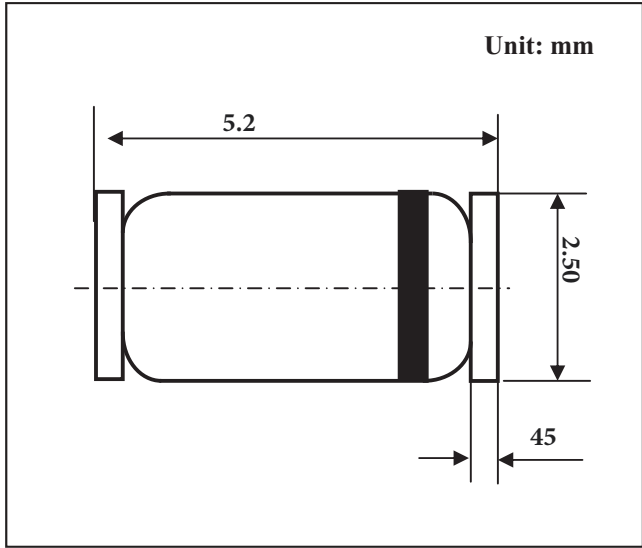


N9B9F JC@H5 ; 9 F5B ; 9. !!! J D95? DI@G9 DCK9F. a K

Š [, ĀÜ^ç^!•^ĀŠ^æ\æ*^
 Š [, ĀZ^}^ĀQ {]^Āæ}&^
 Glass passivated junction
 High Stability and High Reliability

MECHANICAL DATA
 Case: ŠŠ-41(GLASS) Āmolded Āglass Ābody
 Polarity: Color band denotes cathode end
 Mounting Position: Any



MAXIMUM RATINGS AND CHARACTERISTICS

Ratings at 25 ambient temperature unless otherwise specified

| Parameters | Symbol | Value | Unit |
|--------------------------------|--------|--------------------|------|
| Power Dissipation | Pd | 1000 ¹⁾ | mW |
| Operating junction temperature | Tj | 175 | |
| Storage temperature range | Ts | -55-+150 | |

1) Valid provided that leads are kept at ambient temperature at a distance of 8mm from case

(TA=25°C unless otherwise specified)

| TYPE | Zener Voltage | | Reverse Current | | Dynamic Resistance | |
|----------|---------------|----------------|-----------------|----------------|--------------------|----------------|
| | Vz(V) | Test Condition | IR(-A) | Test Condition | rd() | Test Condition |
| | nom | Iz(mA) | Max. | VR(V) | Max. | Iz(mA) |
| DL4728A | 3.3 | 76.0 | 100 | 1.0 | 10 | 76.0 |
| DL 4729A | 3.6 | 69.0 | 100 | 1.0 | 10 | 69.0 |
| DL 4730A | 3.9 | 64.0 | 50 | 1.0 | 9 | 64.0 |
| DL 4731A | 4.3 | 58.0 | 10 | 1.0 | 9 | 58.0 |
| DL 4732A | 4.7 | 53.0 | 10 | 1.0 | 8 | 53.0 |
| DL 4733A | 5.1 | 49.0 | 10 | 1.0 | 7 | 49.0 |
| DL 4734A | 5.6 | 45.0 | 10 | 2.0 | 5 | 45.0 |
| DL 4735A | 6.2 | 41.0 | 10 | 3.0 | 2 | 41.0 |

(T_A=25°C unless otherwise specified)

| TYPE | Zener Voltage | | Reverse Current | | Dynamic Resistance | |
|----------|--------------------|---------------------|---------------------|--------------------|-----------------------------|---------------------|
| | V _Z (V) | Test Condition | I _R (-A) | Test Condition | r _d (Ω) | Test Condition |
| | nom | I _Z (mA) | Max. | V _R (V) | Max. | I _Z (mA) |
| DL 4736A | 6.8 | 37.0 | 10 | 4.0 | 3.5 | 37.0 |
| DL 4737A | 7.5 | 34.0 | 10 | 5.0 | 4 | 34.0 |
| DL 4738A | 8.2 | 31.0 | 10 | 6.0 | 4.5 | 31.0 |
| DL 4739A | 9.1 | 28.0 | 10 | 7.0 | 5 | 28.0 |
| DL 4740A | 10 | 25.0 | 10 | 7.6 | 7 | 25.0 |
| DL 4741A | 11 | 23.0 | 5 | 8.4 | 8 | 23.0 |
| DL 4742A | 12 | 21.0 | 5 | 9.1 | 9 | 21.0 |
| DL 4743A | 13 | 19.0 | 5 | 9.9 | 10 | 19.0 |
| DL 4744A | 15 | 17.0 | 5 | 11.4 | 14 | 17.0 |
| DL 4745A | 16 | 15.5 | 5 | 12.2 | 16 | 15.5 |
| DL 4746A | 18 | 14.0 | 5 | 13.7 | 20 | 14.0 |
| DL 4747A | 20 | 12.5 | 5 | 15.2 | 22 | 12.5 |
| DL 4748A | 22 | 11.5 | 5 | 16.7 | 23 | 11.5 |
| DL 4749A | 24 | 10.5 | 5 | 18.2 | 25 | 10.5 |
| DL 4750A | 27 | 9.5 | 5 | 20.6 | 35 | 9.5 |
| DL 4751A | 30 | 8.5 | 5 | 22.8 | 40 | 8.5 |
| DL 4752A | 33 | 7.5 | 5 | 25.1 | 45 | 7.5 |
| DL 4753A | 36 | 7.0 | 5 | 27.4 | 50 | 7.0 |
| DL 4754A | 39 | 6.5 | 5 | 29.7 | 60 | 6.5 |
| DL 4755A | 43 | 6.0 | 5 | 32.7 | 70 | 6.0 |
| DL 4756A | 47 | 5.5 | 5 | 35.8 | 80 | 5.5 |
| DL 4757A | 51 | 5.0 | 5 | 38.8 | 95 | 5.0 |
| DL 4758A | 56 | 4.5 | 5 | 42.6 | 110 | 4.5 |
| DL 4759A | 62 | 4.0 | 5 | 47.1 | 125 | 4.0 |
| DL 4760A | 68 | 3.7 | 5 | 51.7 | 150 | 3.7 |
| DL 4761A | 75 | 3.3 | 5 | 56.0 | 175 | 3.3 |
| DL 4762A | 82 | 3.0 | 5 | 62.2 | 200 | 3.0 |
| DL 4763A | 91 | 2.8 | 5 | 69.2 | 250 | 2.8 |
| DL 4764A | 100 | 2.5 | 5 | 76.0 | 350 | 2.5 |

Product

FD X-axis: [Zener Voltage] vs [Reverse Current]

GD T-axis: [Zener Voltage] vs [Dynamic Resistance]

HD V-axis: [Zener Voltage] vs [Test Condition]

Legend: Zener Voltage (V), Test Condition (I_Z mA), Reverse Current (I_R A), Test Condition (V_R V), Dynamic Resistance (r_d Ω), Test Condition (I_Z mA)

°C